

QWCA-770-S

WR-770 to SMA

Features:
* Low VSWR

Applications:
* Wireless
* Transmitter
* Laboratory Test
* Radar

Electrical

Frequency: 0.96~1.46GHz
VSWR: 1.2 max.

Mechanical

Coax Connectors: SMA
Waveguide Size: WR-770
Flange: FDP12
Material: Aluminium

How To Order

QWCA-770-X-Y-Z

X: Connector type.

Y: Configuration type.

Z: Flange type if applicable.

Connector naming rules:

S - S Male (Outline A)

SF - S Female (Outline A)

Configuration naming rules:

E - End launch

R - Right angle (Outline A)

Flange naming rules:

1 - FBP

2 - FDP (Outline A)

3 - FBM

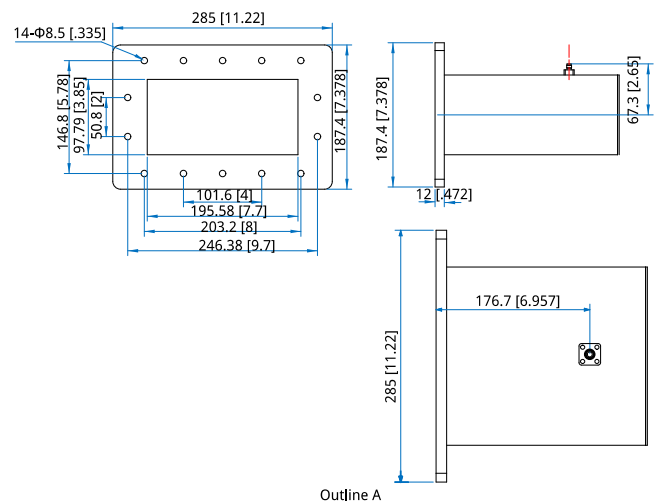
4 - FDM

Examples:

To order a waveguide to coax adapter, WR-770 to SMA female, right angle, FDP, specify QWCA-770-SF-R-2.

Customization is available upon request.

Outline Drawings



Unit: mm [in]

Tolerance: $\pm 0.2\text{mm}$ [$\pm 0.008\text{in}$]